

MOD. ACTIVA 3T COMPACT-SIZED

TECHNICAL FEATURES

Model	Performance		Capacity in Trays	Standard Tension	Power Consumption	Refrigerant
	(+90°C/+3°C)	(+90°C/-18°C)				
MX3.10C	10 kg	5 kg	3 GN 1/1 3 GN 2/3	230V / 1Ph 50Hz	0,9 kW 5,0 A	R404A 0,260 kg

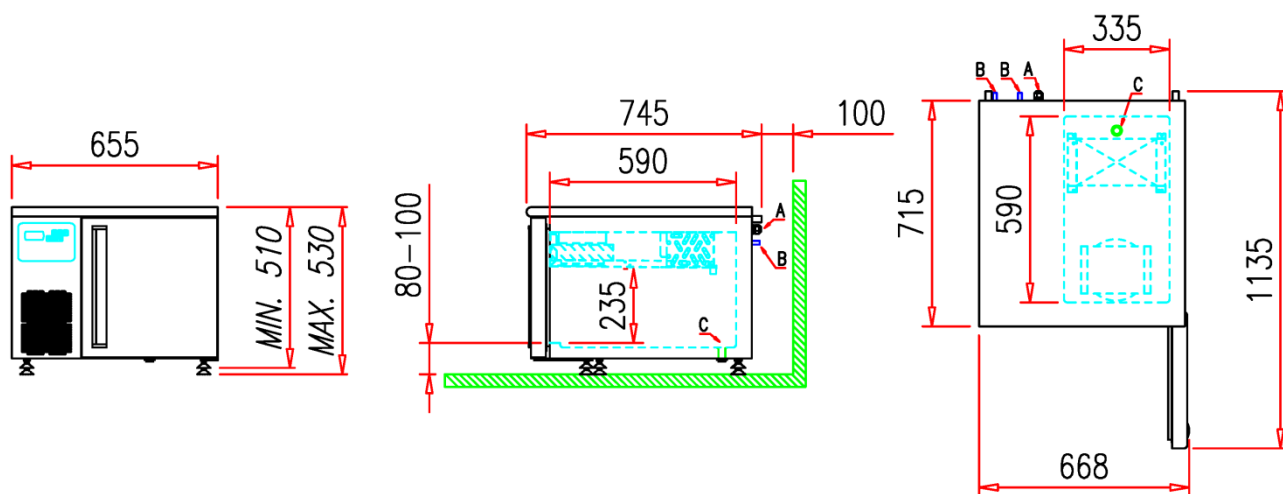
CONSTRUCTIVE FEATURES

	STRUCTURE IN STAINLESS STEEL AISI 304 18/10 – EXTERNAL: SCOTCH BRITE, INTERIOR: MIRROR FINISHING		ROUNDED INNER AND OUTER ANGLES CLEANING AND SPACE UNDER THE EVAPORATOR FOR A PERFECT AND EASY CLEANING
	CERTIFIED ITALIAN HIGH PERFORMANCES REFRIGERATING UNITS		OVERSIZED CONDENSERS TO ENSURE RELIABILITY
	SPECIAL FANS SUITABLE FOR LOW TEMPERATURE WITH SPEED REGULATION SYSTEM		CATAPHORESIS PAINTED ANTI-CORROSION EVAPORATORS

Structure insulation in CFC-free polyurethane DPO-0 - Door frame completely integrated in the structure itself to grant top hygiene - Self-closing door equipped with a silicone gasket resistant to low temperatures, magnetic and heated door frame - Core probe with strong silicone gum grip as standard - Lateral drain hole for condensation and water run out - The technical room of evaporator and condenser can be easily inspected through a compass opening

The appliance is supplied without trays.

The manufacturer reserves the right to carry out modifications of the product without notice. For different voltages and/or frequencies quotations on demand.



A = Electrical and Water connection (when needed)

B = Refrigeration connection

C = Evaporator water drain pipe

TECHNICAL DATA

Model	Refrigerating Power		Consumption kWh/kg		Net Weight	Insulation Thickness	Room Conditions	Certifications
	*Te = -10°C	*Te = -30°C	(+90°C/+3°C)	(+90°C/-18°C)				
MX3.10C	1.160 W	470 W	0,16	0,66	55 kg	50 mm	+32°C 60% UR	CE

* Te = Expansion Temperature – Condensation Temperature = +45°C

ELECTRONIC CONTROLLER
Cycles available:

- Temperature blast chilling +3°C with core probe + conservation stage
- Time blast chilling +3°C without core probe + conservation stage
- Temperature deep freezing -18°C with core probe + conservation stage
- Time deep freezing -18°C without core probe + conservation stage
- SOFT and HARD cycles for both blast chilling +3°C or deep freezing -18°C
- Pre-cooling cycle

Special functions:


- Automatic control on core probe insertion
- Core probe temperature visualization
- Visualization of elapsed time from start, customizable by user
- Raw fish sanitation cycle
- Manual and automatic defrost



The appliance is supplied without trays.

The manufacturer reserves the right to carry out modifications of the product without notice. For different voltages and/or frequencies quotations on demand.

ACCESSORIES (OPTIONAL)

	Kit Drip Tray	ACC 805	
--	---------------	---------	--

DATA SHEET ACCORDING TO prEN 17032

Model	Product Type	Type	Refrigerating Gas		Program	
			GWP	Charge	Blast Chilling	Deep Freezing
MX3.10C	BLAST CHILLER DEEP FREEZER	R404A	3922	0,260 kg	HARD	TIME

Model	Blast Chilling (+65°C / +10°C)			Deep Freezing (+65°C / -18°C)		
	Maximum Capacity	Energy Consumption E	Time t	Maximum Capacity	Energy Consumption E	Time t
MX3.10C	10 kg	0,16 kWh/kg	120 min.	5 kg	0,66 kWh/kg	260 min.

Manufacturer: A.T.O. S.R.L. - Via dell'Artigianato, 24 - 31030 Castello di Godego - Treviso – Italy

STANDARD PACKAGE

Package	External Dimensions			m ³	Gross Weight	
	Width	Depth	Height		Standard	SG Version
1	740 mm	850 mm	680 mm	0,43	70 kg	/

The appliance is supplied without trays.

The manufacturer reserves the right to carry out modifications of the product without notice. For different voltages and/or frequencies quotations on demand.